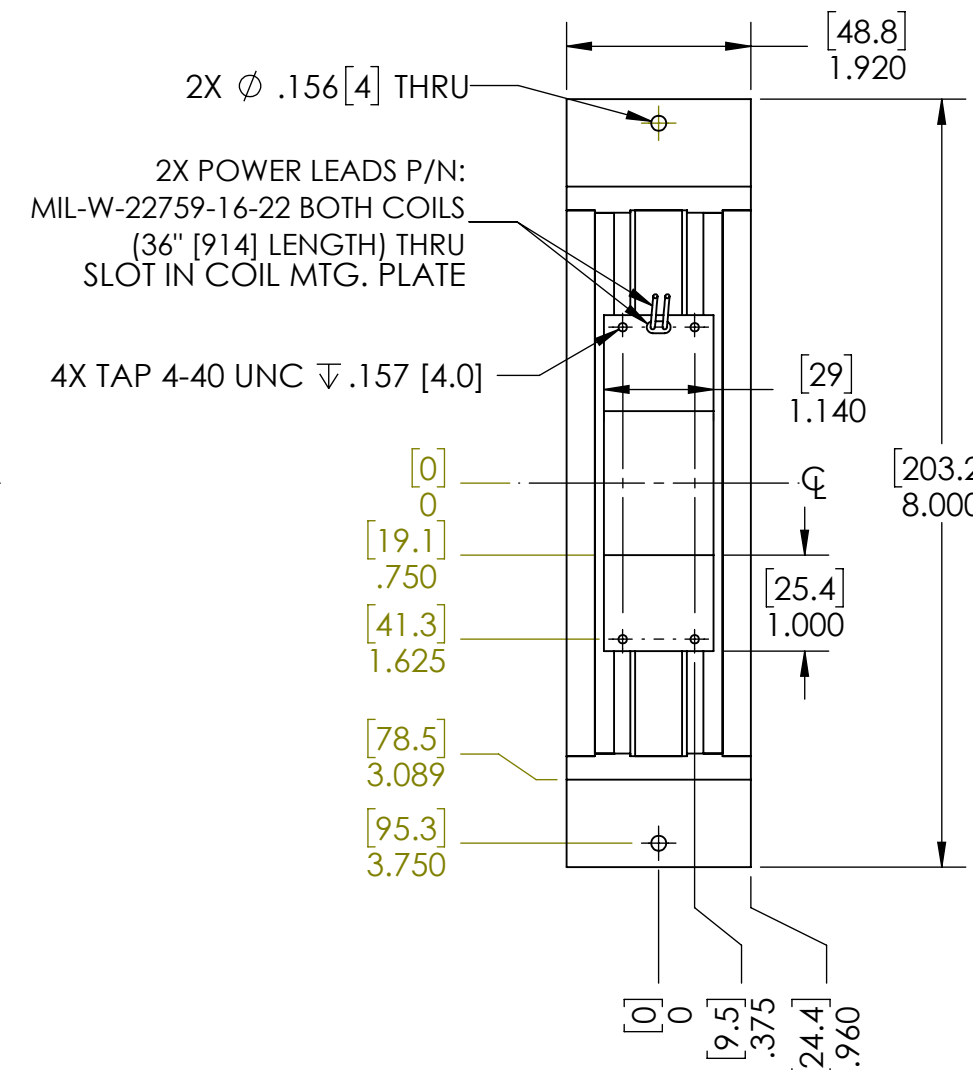
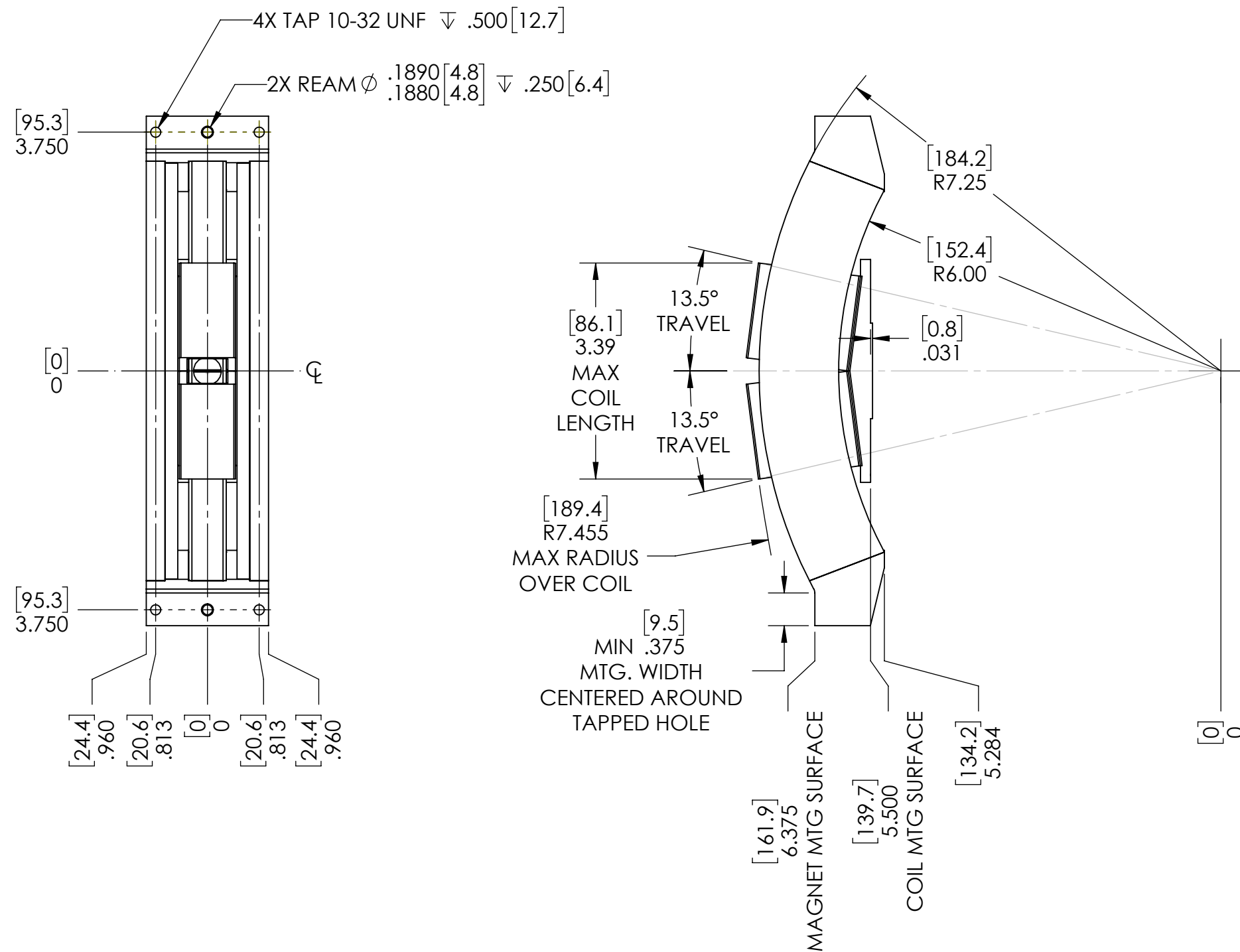


| REVISION TABLE | | | | | |
|----------------|------|------------------|--------|----------|---------|
| REV | ECN# | DESCRIPTION | REV BY | APPROVED | DATE |
| --- | --- | Original Drawing | SDC | MPW | 10-3-17 |



H2W Technologies, Inc.
 Santa Clarita, CA 91350 USA
 Tel: (661) 291-1620
www.h2wtech.com

These drawings and specifications are the property of H2W Technologies, Inc. They are issued in confidence and shall not be reproduced, copied, or used without written permission from H2W Technologies, Inc.

UNLESS SPECIFIED OTHERWISE:
 All dimensions are in inches
 Standard Tolerances are as follows
 .XXX \pm .005 ANGLES \pm .1°
 .XX \pm .010 FILLETS .010
 .X \pm .020 CORNERS .010
 Remove All Burrs and Sharp Edges

**FOR
 REFERENCE
 ONLY**

MATERIAL

FINISH

TITLE

Rotary Voice Coil Actuator:
TWR-027-700-2RC

DWG #

80-0385

REV

DATE
 10-3-17

SHEET
 1 of 2

1

2

3

4

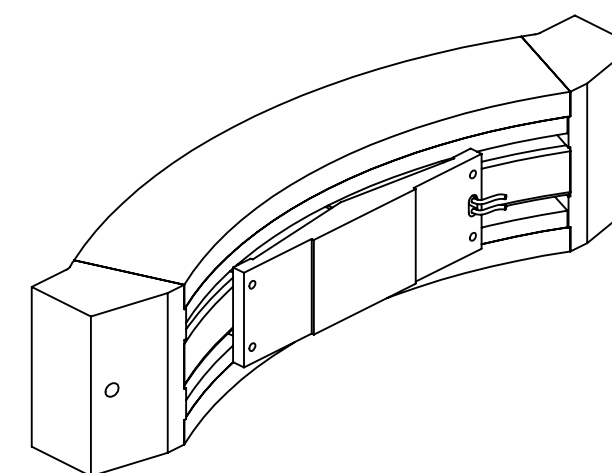
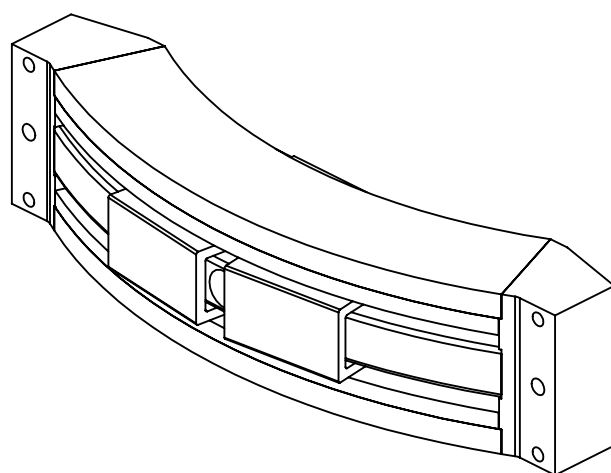
5

ROTARY VOICE COIL ACTUATOR SPECIFICATIONS

| | | |
|----------------------|------------------|-----------------|
| Motor P/N | TWR-027-700-2RC | |
| Stroke | 27 degrees | 0.47 radians |
| Housed with Bearings | No | |
| Coil Mass * | 2.9 oz | 82.2 grams |
| Total Mass | 78.4 oz | 2222 grams |
| Resistance @ 20°C* | 6.4 Ω | |
| Motor Constant | in-oz/sqrt(watt) | N-cm/sqrt(watt) |
| Torque Constant | in-oz/amp | N-cm/amp |
| Torque @ 100% Duty | 700 in-oz | 494 N-cm |
| Torque @ 10% Duty | 2100 in-oz | 1483 N-cm |
| Power @ 100% Duty** | 50 watts | |
| Power @ 10% Duty** | 150 watts | |
| Current @ 100% Duty | 2.8 amps | |
| Current @ 10% Duty | 8.4 amps | |

* VALUE MEASURED PER SINGLE COIL

** VALUE MEASURED INCLUDES BOTH COILS



H2W Technologies, Inc.
Santa Clarita, CA 91350 USA
Tel: (661) 291-1620
www.h2wtech.com

These drawings and specifications are the property of H2W Technologies, Inc. They are issued in confidence and shall not be reproduced, copied, or used without written permission from H2W Technologies, Inc.

UNLESS SPECIFIED OTHERWISE:
All dimensions are in inches
Standard Tolerances are as follows
.XXX ±.005 ANGLES ±.1°
.XX ±.010 FILLETS .010
.X ±.020 CORNERS .010
Remove All Burrs and Sharp Edges

**FOR
REFERENCE
ONLY**

MATERIAL

FINISH

TITLE

Rotary Voice Coil Actuator:
TWR-027-700-2RC

DWG #

80-0385

REV

DATE
10-3-17

SHEET
2 of 2